



INSTALLATION GUIDE

Frost Tops - All Models

Getting Started

1. Download the specification sheet for your specific model.
2. Confirm that the proper electrical service is available on site. See spec sheet for power supply details.
3. Confirm availability of a drain pan or floor drain.
4. Authenticate the countertop material manufacturer's instructions for proper installation of equipment into their material.
5. Make certain that countertop surface is level.
6. Unpack and clean equipment. Remove all packing material, tape, plastic and residue.

Countertop and Cabinet Fabrication

1. Cut an opening in the countertop per cutout dimensions. See spec sheet for dimensions.
2. Provide reinforcement to the countertop from below to support the weight of the equipment.
3. Provide front access in the cabinet for service and control adjustments.
4. Cut two openings in the cabinet to provide ventilation for the condensing unit. One opening should be in front of the condensing unit and the other on the opposite side. Opening shall be a minimum of twice the surface area of the condenser. Louvered grill covers are optional and supplied by the installer.

Mounting the Drop-In

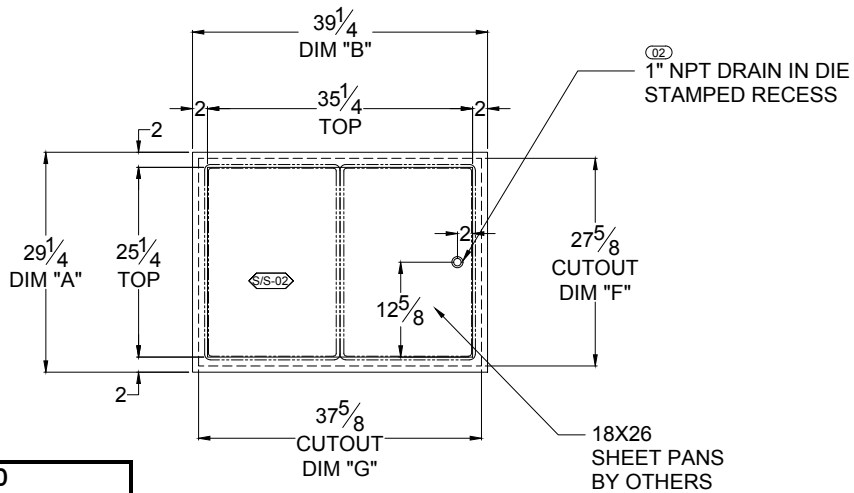
1. Apply silicone sealant to the underside of the mounting flange.
2. Install equipment in the cutout opening and clean off any extra sealant.

Remote On/Off Switch Instructions

1. Cut an opening in the cabinet side per cutout dimensions. See dimensions below. Do not mount control in front of condensing unit.
2. Remove control panel from the equipment
3. Apply sealant to underside of control panel flange.
4. Install the control box by routing it thru the cutout
5. Reinstall trim cover and secure in place.

Wiring & Plumbing Instructions

1. Install drain valve with handle (if required). Connect 1" drain to drain pan or floor drain. Position valve handle for easy access.
2. All plumbing specifications and drain connections must comply with local codes

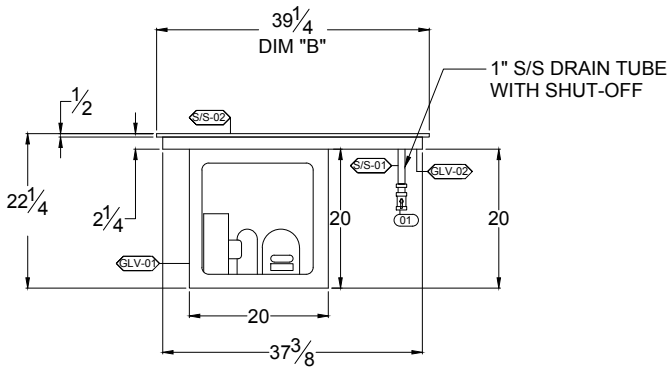


MINIMUM CLEARANCE REQUIRED FROM UNIT TO THE NEAREST SURFACE			
BACK	FRONT	SIDE	BOTTOM
0	0	1	N/A



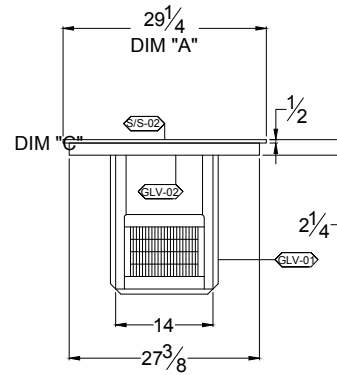
PLAN VIEW

1/2" = 1'-0"



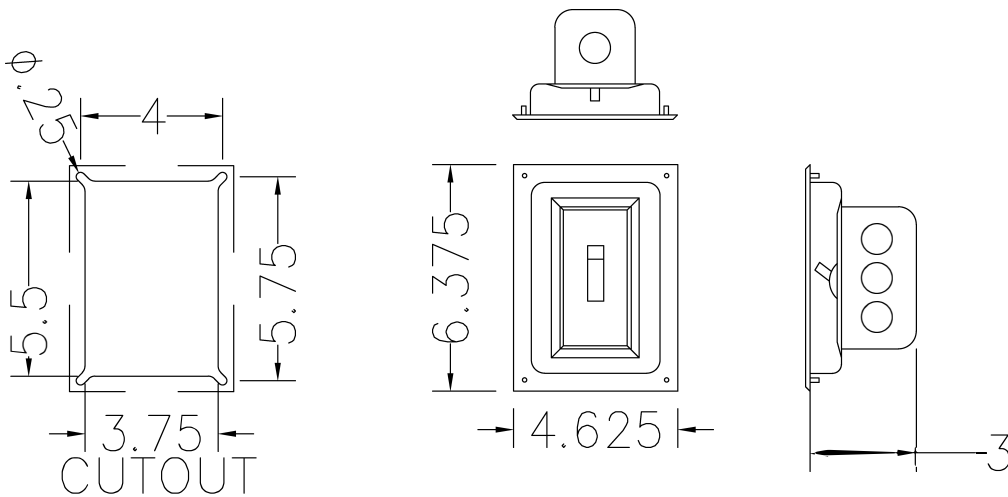
ELEVATION "A"

1/2" = 1'-0"



ELEVATION "B"

1/2" = 1'-0"



REMOTE SWITCH

Specifications							
	Overall Dimensions			Interior Dimensions		Cut Out Dimensions	
	FRONT TO BACK A	LeFT TO RIGHT B	Height C	FRONT TO BACK D	LeFT TO RIGHT E	FRONT TO BACK F	LeFT TO RIGHT G
	inches	inches	inches	inches	inches	inches	inches
FT-1	29 1/4	21 1/4	21 1/8	25 1/4	17 1/4	27 5/8	19 5/8
FT-2	29 1/4	39 1/4	21 1/8	25 1/4	35 1/4	27 5/8	37 5/8
FT-3	29 1/4	57 1/4	21 1/8	25 1/4	53 1/4	27 5/8	55 5/8
FT-4	29 1/4	75 1/4	21 1/8	25 1/4	71 1/4	27 5/8	73 5/8
FT-5	29 1/4	93 1/4	21 1/8	25 1/4	89 1/4	27 5/8	91 5/8
FT-6	29 1/4	111 1/4	21 1/8	25 1/4	107 1/4	27 5/8	109 5/8
FT-2-SL	21 1/4	55 1/4	21 1/8	17 1/4	51 1/4	53 5/8	19 5/8
FT-3-SL	21 1/4	81 1/4	21 1/8	17 1/4	77 1/4	79 5/8	19 5/8
FT-4-SL	21 1/4	107 1/4	21 1/8	17 1/4	103 1/4	105 5/8	19 5/8

Power Supply Refrigeration Operation						
	Volts	watts	HP	Amps	Phase	Refrigerant
FT-1	115	563.5	1/4	4.9	Single	134A
FT-2	115	563.5	1/4	4.9	Single	134A
FT-3	115	644	1/3	5.6	Single	134A
FT-4	115	736	1/2	6.4	Single	134A
FT-5	115	1748	3/4	15.2	Single	134A
FT-6	115	1748	3/4	15.2	Single	134A
FT2-SL	115	563.5	1/4	4.9	Single	134A
FT3-SL	115	644	1/3	5.6	Single	134A
FT4-SL	115	736	1/2	6.4	Single	134A