



INSTALLATION GUIDE

Dual Temperature Hot & Cold Drop-in Pans - All Dual-Temp Models

Getting Started

1. Download the specification sheet for your specific model.
2. Confirm that the proper electrical service is available on site. See spec sheet for power supply details.
3. Verify that water service is available (all Dual-Temps require a water connection).
4. Confirm availability of a drain pan or floor drain.
5. Authenticate the countertop material manufacturer's instructions for proper installation of equipment into their material.
6. Make certain that countertop surface is level.
7. Unpack and clean equipment. Remove all packing material, tape, plastic and residue.

Countertop and Cabinet Fabrication

1. Cut an opening in the countertop per cutout dimensions. See spec sheet for dimensions.
2. Provide reinforcement to the countertop from below to support the weight of the equipment.
3. Provide front access in the cabinet for service and control adjustments.
4. Cut two openings in the cabinet to provide ventilation for the condensing unit. One opening should be in front of the condensing unit and the other on the opposite side. Opening shall be a minimum of twice the surface area of the condenser. Louvered grill covers are optional and supplied by the installer.

Mounting the Drop-In

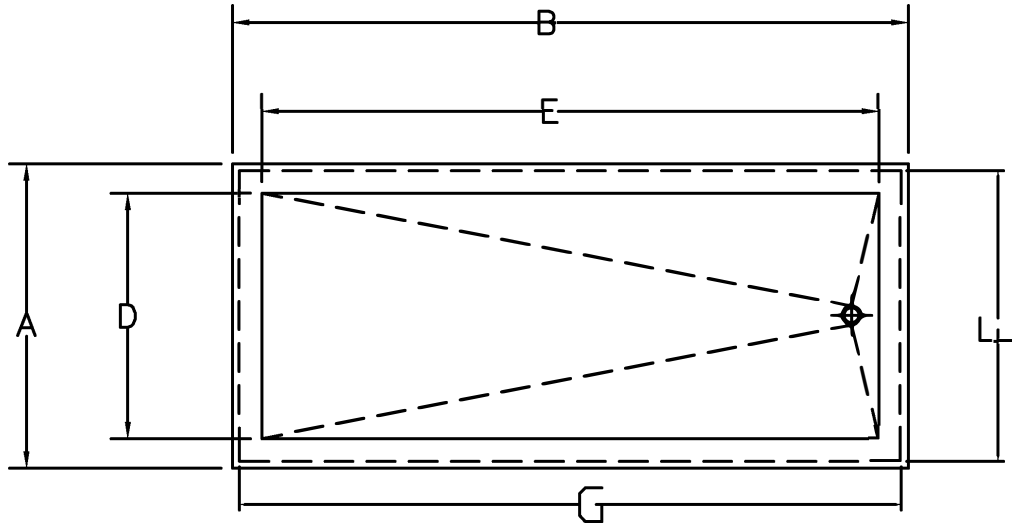
1. Apply silicone sealant to the underside of the mounting flange.
2. Install equipment in the cutout opening and clean off any extra sealant.

Remote Control Panel Installations

1. Cut an opening in the cabinet side per cutout dimensions. See dimensions below. Do not mount control in front of condensing unit.
2. Remove control panel from the equipment
3. Apply sealant to underside of control panel flange.
4. Install the control box by routing it thru the cutout
5. Reinstall trim cover and secure in place.

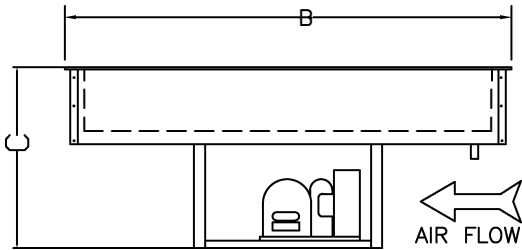
Wiring & Plumbing Instructions

1. The water fill hose with check valve assembly is shipped disconnected from the tank for ease of installation.
2. Apply pipe sealant to the water fill tank and attach check valve assembly.
3. Attach water fill hose with clamp. Connect ¼ NPT water supply and shut-off valve to solenoid valve in control box. Maximum pressure 120 psi.
4. Install drain valve with handle (provided). Connect 1" drain to drain pan or floor drain. Position valve handle for easy access.

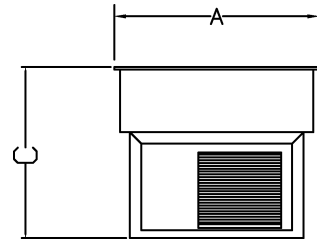


PLAN

MINIMUM CLEARANCE REQUIRED FROM UNIT TO THE NEAREST SURFACE			
BACK	FRONT	SIDE	BOTTOM
0	3	0	N/A

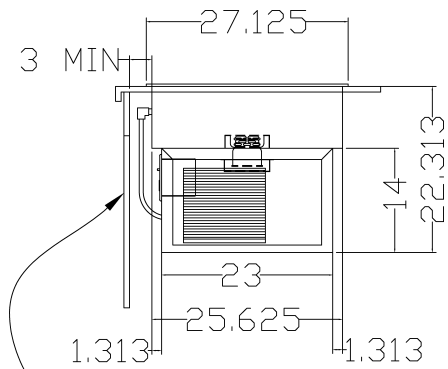


FRONT ELEVATION



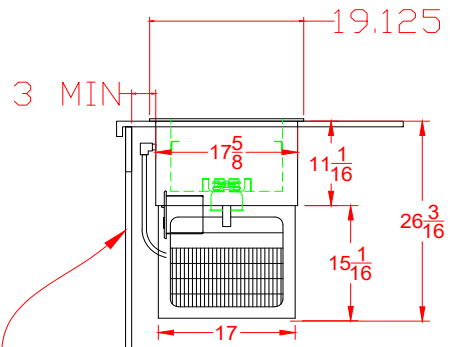
SIDE ELEVATION

STANDARD

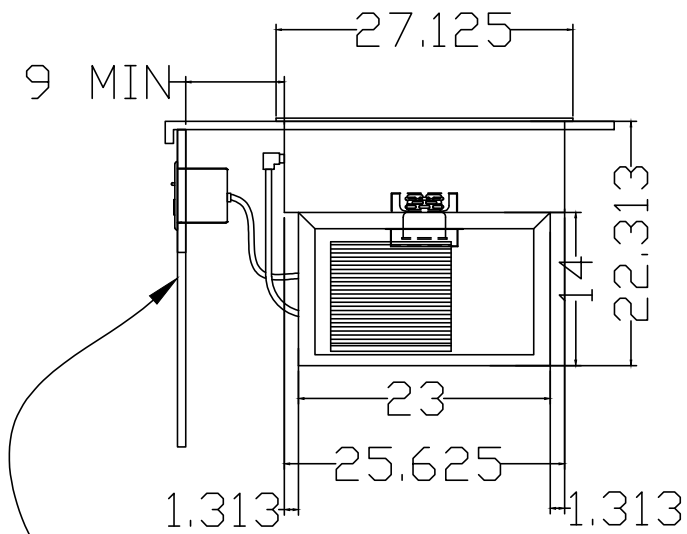
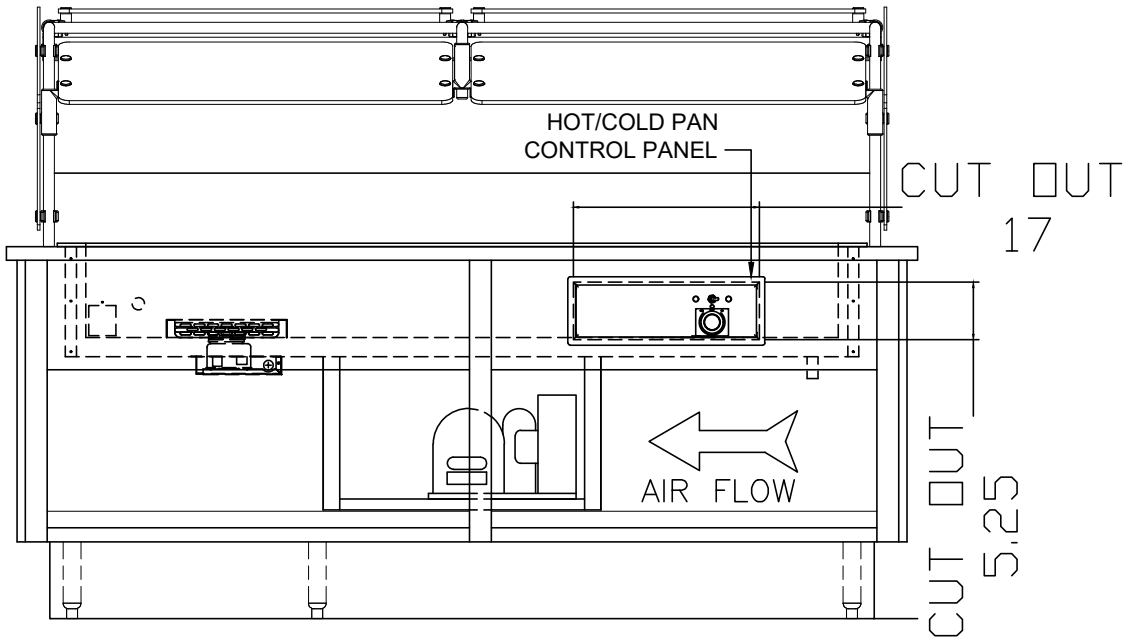


*FRONT ACCESS
REQUIRED FOR
CONTROLS*

SLIM-LINE



*FRONT ACCESS
REQUIRED FOR
CONTROLS*



PROVIDE SERVICE ACCESS BELOW CONTROL PANEL

Power Supply HOT Operation						Power Supply Refrigeration Operation								
	Volts	KW	AMPS	Phase	Power Supply	Refrigerant		Volts	watts	HP	Amps	Phase	Power Supply	
AFHCP1-7	208/240	1.9 / 2.5	9.0 / 10.4	Single	*	134A	AFHCP1-7	115	563.5	1/4	4.9	Single	*	
AFHCP2-7	208/240	1.9 / 2.5	9.0 / 10.4	Single	*	134A	AFHCP2-7	115	563.5	1/4	4.9	Single	*	
AFHCP3-7	208/240	14.4 / 4.0	14.4 / 16.7	Single	*	404	AFHCP3-7	115	644	1/3	5.6	Single	*	
AFHCP4-7	208/240	3.8 / 5.0	18.1 / 20.8	Single	*	404	AFHCP4-7	115	1023.5	1/2	8.9	Single	*	
AFHCP5-7	208/240	6.0 / 8.0	28.9 / 33.3	Single	*	404	AFHCP5-7	115	1748	3/4	15.2	Single	*	
AFHCP6-7	208/240	6.0 / 8.0	28.9 / 33.3	Single	*	404	AFHCP6-7	115	1748	3/4	15.2	Single	*	
AFHCP1-7ST	208/240	1.9 / 2.5	9.0 / 10.4	Single	*	134A	AFHCP1-7ST	115	564	1/4	4.9	Single	*	
AFHCP2-7ST	208/240	1.9 / 2.5	9.0 / 10.4	Single	*	134A	AFHCP2-7ST	115	564	1/4	4.9	Single	*	
AFHCP3-7ST	208/240	3.8 / 5.0	14.4 / 16.7	Single	*	404	AFHCP3-7ST	115	644	1/3	5.6	Single	*	
AFHCP4-7ST	208/240	3.8 / 5.0	18.1 / 20.8	Single	*	404	AFHCP4-7ST	115	736	1/2	6.4	Single	*	
AFHCP5-7ST	208/240	6.0 / 8.0	28.9 / 33.3	Single	*	404	AFHCP5-7ST	115	1748	3/4	15.2	Single	*	
AFHCP6-7ST	208/240	6.0 / 8.0	28.9 / 33.3	Single	*	404	AFHCP6-7ST	115	1748	3/4	15.2	Single	*	
AFHCP7-143	208/240	1.9 / 2.5	9.0 / 10.4	Single	*	134A	AFHCP7-143	115	449	1/4	3.9	Single	*	
AFHCP7-243	208/240	1.9 / 2.5	9.0 / 10.4	Single	*	134A	AFHCP7-243	115	449	1/4	3.9	Single	*	
AFHCP7-343	208/240	3.8 / 5.0	14.4 / 16.7	Single	*	404	AFHCP7-343	115	713	1/3	6.2	Single	*	
AFHCP7-443	208/240	3.8 / 5.0	18.1 / 20.8	Single	*	404	AFHCP7-443	115	805	1/2	7.0	Single	*	
AFHCP7-543	208/240	6.0 / 8.0	28.9 / 33.3	Single	*	404	AFHCP7-543	115	1817	3/4	15.2	Single	*	
AFHCP7-643	208/240	6.0 / 8.0	28.9 / 33.3	Single	*	404	AFHCP7-643	115	1817	3/4	15.2	Single	*	
AFHCP2-7SL	208/240	1.9 / 2.5	9.0 / 10.4	Single	*	134A	AFHCP2-7SL	115	563.5	1/4	4.9	Single	*	
AFHCP3-7SL	208/240	14.4 / 4.0	14.4 / 16.7	Single	*	404	AFHCP3-7SL	115	632.5	1/3	5.5	Single	*	
AFHCP4-7SL	208/240	3.8 / 5.0	18.1 / 20.8	Single	*	404	AFHCP4-7SL	115	1023.5	1/2	8.9	Single	*	

* All models are to be permanently field wired. Power supply: single phase, 3-wire, 120/208-240V, L2-N 120VAC

	Overall Dimentions			Interior Dimentions		Cut Out Dimentions	
	Width A	Length B	Height C	Width D	Length E	Width F	Length G
	inches	inches	inches	inches	inches	inches	inches
AFHCP1-7	27 1/8	18 1/2	24 3/8	19 7/8	13 1/2	25 7/8	17 3/4
AFHCP2-7	27 1/8	32 3/4	24 3/8	21 7/8	27 1/2	25 7/8	31 1/2
AFHCP3-7	27 1/8	46 1/2	24 3/8	21 7/8	41 1/4	25 7/8	45 1/4
AFHCP4-7	27 1/8	60 1/4	24 3/8	21 7/8	55	25 7/8	59
AFHCP5-7	27 1/8	74	22 5/8	21 7/8	68 3/4	25 7/8	72 3/4
AFHCP6-7	27 1/8	87 3/4	22 5/8	21 7/8	82 1/2	25 7/8	72 3/4
AFHCP1-7ST	27 1/8	19 1/8	26 3/4	21 7/8	13 7/8	25 7/8	17 3/4
AFHCP2-7ST	27 1/8	32 3/4	26 3/4	21 7/8	27 1/2	25 7/8	31 1/2
AFHCP3-7ST	27 1/8	46 1/2	26 3/4	21 7/8	41 1/4	25 7/8	45 1/4
AFHCP4-7ST	27 1/8	60 1/4	26 3/4	21 7/8	55	25 7/8	59
AFHCP5-7ST	27 1/8	74	26 3/4	21 7/8	68 3/4	25 7/8	72 3/4
AFHCP6-7ST	27 1/8	87 3/4	26 3/4	21 7/8	82 1/2	25 7/8	86 1/2
AFHCP7-143	34 1/4	19 1/8	24 3/8	29	13 7/8	33	17 7/8
AFHCP7-243	34 1/4	32	24 3/8	29	26 3/4	33	30.75
AFHCP7-343	34 1/4	44 7/8	24 3/8	29	39 5/8	33	43.625
AFHCP7-443	34 1/4	57 3/4	24 3/8	29	52 1/2	33	56.5
AFHCP7-543	34 1/4	70 5/8	24 3/8	29	65 3/8	33	69.375
AFHCP7-643	34 1/4	83 1/2	24 3/8	29	78 1/4	33	82.25
AFHCP2-7SL	48 3/4	19 1/8	26 1/8	43 1/2	13 7/8	47 1/2	17 7/8
AFHCP3-7SL	70 3/8	19 1/8	26 1/8	65 1/8	13 7/8	69 1/8	17 7/8
AFHCP4-7SL	92	19 1/8	26 1/8	86 3/4	13 7/8	90 3/4	17 7/8