



# INSTALLATION GUIDE

## Cold Drop-in Pans - All Models

### Getting Started

1. Download the specification sheet for your specific model.
2. Confirm that the proper electrical service is available on site. See spec sheet for power supply details.
3. Confirm availability of a drain pan or floor drain.
4. Authenticate the countertop material manufacturer's instructions for proper installation of equipment into their material.
5. Make certain that countertop surface is level.
6. Unpack and clean equipment. Remove all packing material, tape, plastic and residue.

### Countertop and Cabinet Fabrication

1. Cut an opening in the countertop per cutout dimensions. See spec sheet for dimensions.
2. Provide reinforcement to the countertop from below to support the weight of the equipment.
3. Provide front access in the cabinet for service and control adjustments.
4. Cut two openings in the cabinet to provide ventilation for the condensing unit. One opening should be in front of the condensing unit and the other on the opposite side. Opening shall be a minimum of twice the surface area of the condenser. Louvered grill covers are optional and supplied by the installer.

### Mounting the Drop-In

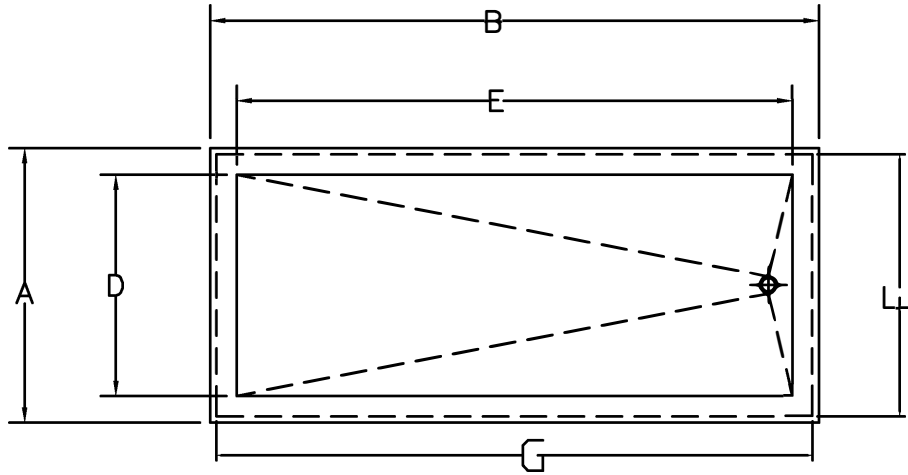
1. Apply silicone sealant to the underside of the mounting flange.
2. Install equipment in the cutout opening and clean off any extra sealant.

### Remote On/Off Switch Instructions

1. Cut an opening in the cabinet side per cutout dimensions. See dimensions below. Do not mount control in front of condensing unit.
2. Remove control panel from the equipment
3. Apply sealant to underside of control panel flange.
4. Install the control box by routing it thru the cutout
5. Reinstall trim cover and secure in place.

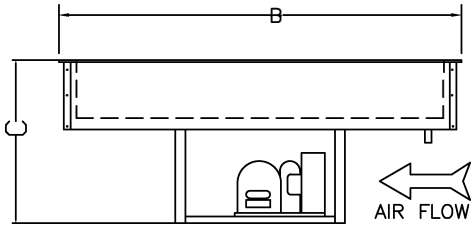
### Wiring & Plumbing Instructions

1. Install drain valve with handle (if required). Connect 1" drain to drain pan or floor drain. Position valve handle for easy access.
2. All plumbing specifications and drain connections must comply with local codes

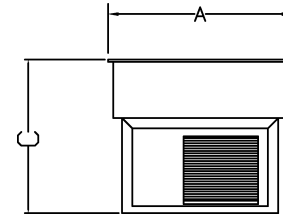


*PLAN*

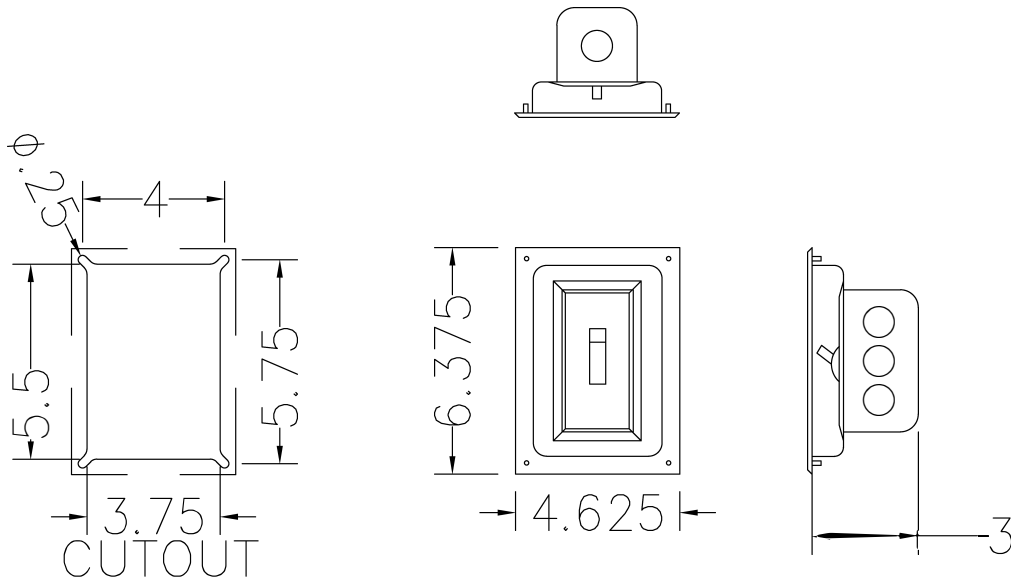
MINIMUM CLEARANCE REQUIRED FROM UNIT TO THE NEAREST SURFACE			
BACK	FRONT	SIDE	BOTTOM
0	0	1	N/A



*FRONT ELEVATION*



*SIDE ELEVATION*



*REMOTE SWITCH*

Specifications							
	Overall Dimensions			Interior Dimensions		Cut Out Dimensions	
	Width A	Length B	Height C	Width D	Length E	Width F	Length G
	inches	inches	inches	inches	inches	inches	inches
AFCP1	25 3/8	17 3/8	23	19 7/8	11 7/8	23 7/8	15 7/8
AFCP2	25 3/8	31	23	19 7/8	24 1/2	23 7/8	29 1/2
AFCP3	25 3/8	44 3/4	23	19 7/8	39 1/4	23 7/8	43 1/4
AFCP4	25 3/8	58 1/2	23	19 7/8	53	23 7/8	57
AFCP5	25 3/8	74 1/2	23	19 7/8	66 3/4	23 7/8	70 3/4
AFCP6	25 3/8	86	23	19 7/8	80 1/2	23 7/8	84 1/2
AFCP1-7	27 1/8	19 1/8	25 3/8	20	12	25 7/8	17 7/8
AFCP2-7	27 1/8	32 3/4	25 3/8	20	25 5/8	25 7/8	31 1/2
AFCP3-7	27 1/8	46 1/2	25 3/8	20	39 3/8	25 7/8	45 1/4
AFCP4-7	27 1/8	60 1/4	25 3/8	20	53 1/8	25 7/8	59
AFCP5-7	27 1/8	74	25 3/8	20	66 7/8	25 7/8	72 3/4
AFCP6-7	27 1/8	87 3/4	25 3/8	20	80 5/8	25 7/8	86 1/2
AFCP2-SL	19 1/8	48 3/4	26 1/8	13 7/8	43 1/2	17.875	47.5
AFCP3-SL	19 1/8	70 3/8	26 1/8	13 7/8	65 1/8	17.875	69.125
AFCP4-SL	19 1/8	92	26 1/8	13 7/8	86 3/4	17.875	90.75
AFCP7-143	34 1/4	19 1/8	24 5/8	29	13 7/8	33	17 7/8
AFCP7-243	34 1/4	32	26 1/8	29	26 3/4	33	30.75
AFCP7-343	34 1/4	44 7/8	26 1/8	29	39 5/8	33	43.625
AFCP7-443	34 1/4	57 3/4	26 1/8	29	52 1/2	33	56.5
AFCP7-543	34 1/4	70 5/8	26 1/8	29	65 3/8	33	69.375
AFCP7-643	34 1/4	83 1/2	26 1/8	29	78 1/4	33	82.25
AFCP-143	32 1/2	17 3/8	24.5	27	11 7/8	31	15 7/8
AFCP-243	32 1/2	31	24.5	27	25 1/2	31	29 1/2
AFCP-343	32 1/2	44 5/8	24.5	27	39 1/8	31	43 1/8
AFCP-443	32 1/2	58 1/4	24.5	27	52 3/4	31	56 3/4
AFCP-543	32 1/2	71 7/8	24.5	27	66 3/8	31	70 3/8
AFCP-643	32 1/2	85 1/2	24.5	27	80	31	84
AFCP1-ST	25 1/8	17 1/8	28 1/2	19 7/8	11 7/8	23 7/8	15 7/8
AFCP2-ST	25 1/8	29 7/8	28 1/2	19 7/8	24 5/8	23 7/8	28 5/8
AFCP3-ST	25 1/8	42 5/8	28 1/2	19 7/8	37 3/8	23 7/8	41 3/8
AFCP4-ST	25 1/8	55 3/8	28 1/2	19 7/8	50 1/8	23 7/8	54 1/8
AFCP5-ST	25 1/8	68 1/8	28 1/2	19 7/8	62 7/8	23 7/8	66 7/8

Power Supply Refrigeration Operation					
	Volts	HP	Amps	Phase	Power Supply
AFCP1-7	115	1/4	3.9	Single	NEMA 5-15P
AFCP2-7	115	1/4	3.9	Single	NEMA 5-15P
AFCP3-7	115	1/3	6.2	Single	NEMA 5-15P
AFCP4-7	115	1/2	7.0	Single	NEMA 5-15P
AFCP5-7	115	3/4	15.8	Single	NEMA 5-20P
AFCP6-7	115	3/4	15.8	Single	NEMA 5-20P
AFCP1	115	1/4	2.8	Single	NEMA 5-15P
AFCP2	115	1/4	2.8	Single	NEMA 5-15P
AFCP3	115	1/4	3.9	Single	NEMA 5-15P
AFCP4	115	1/3	5.6	Single	NEMA 5-15P
AFCP5	115	1/2	6.4	Single	NEMA 5-15P
AFCP6	115	1/2	6.4	Single	NEMA 5-15P
AFCP2-SL	115	1/4	4.9	Single	NEMA 5-15P
AFCP3-SL	115	1/3	5.6	Single	NEMA 5-15P
AFCP4-SL	115	1/2	6.4	Single	NEMA 5-15P
AFCP7-143	115	1/4	4.9	Single	NEMA 5-15P
AFCP4-243	115	1/4	4.9	Single	NEMA 5-15P
AFCP7-343	115	1/2	8.9	Single	NEMA 5-15P
AFCP7-443	115	1/2	8.9	Single	NEMA 5-15P
AFCP7-543	115	3/4	15.8	Single	NEMA 5-20P
AFCP7-643	115	3/4	15.8	Single	NEMA 5-20P
AFCP-143	115	1/4	5.5	Single	NEMA 5-15P
AFCP-243	115	1/4	5.5	Single	NEMA 5-15P
AFCP-343	115	1/4	5.5	Single	NEMA 5-15P
AFCP-443	115	1/3	7	Single	NEMA 5-15P
AFCP-543	115	1/2	7.5	Single	NEMA 5-15P
AFCP-643	115	1/2	7.5	Single	NEMA 5-15P
AFCP1-ST	115	1/4	5.5	Single	NEMA 5-15P
AFCP2-ST	115	1/4	5.5	Single	NEMA 5-15P
AFCP3-ST	115	1/4	5.5	Single	NEMA 5-15P
AFCP4-ST	115	1/3	5.6	Single	NEMA 5-15P
AFCP5-ST	115	1/2	6.4	Single	NEMA 5-15P
AFCP6-ST	115	1/2	6.4	Single	NEMA 5-15P
AFCP7-1ST	115	1/4	5.5	Single	NEMA 5-15P
AFCP7-2ST	115	1/4	5.5	Single	NEMA 5-15P
AFCP7-3ST	115	1/3	6.5	Single	NEMA 5-15P
AFCP7-4ST	115	1/2	7.5	Single	NEMA 5-15P
AFCP7-5ST	115	3/4	15.8	Single	NEMA 5-20P
AFCP7-6ST	115	3/4	15.8	Single	NEMA 5-20P
AFCP7-2SL	115	1/4	4.9	Single	NEMA 5-15P
AFCP7-3SL	115	1/3	5.6	Single	NEMA 5-15P
AFCP7-4SL	115	1/3	6.4	Single	NEMA 5-15P